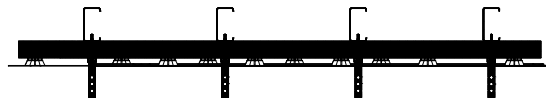
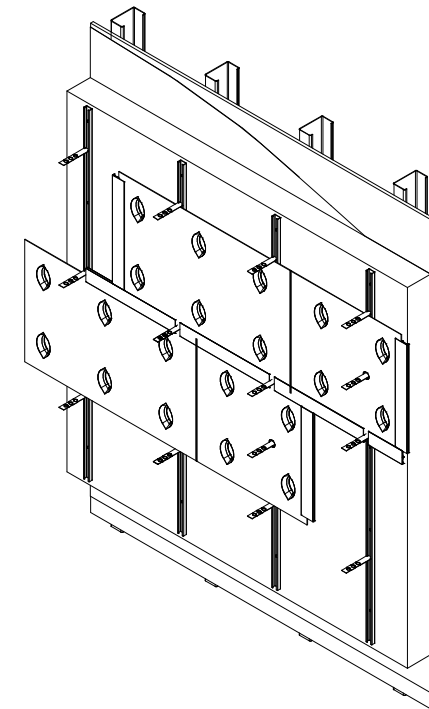
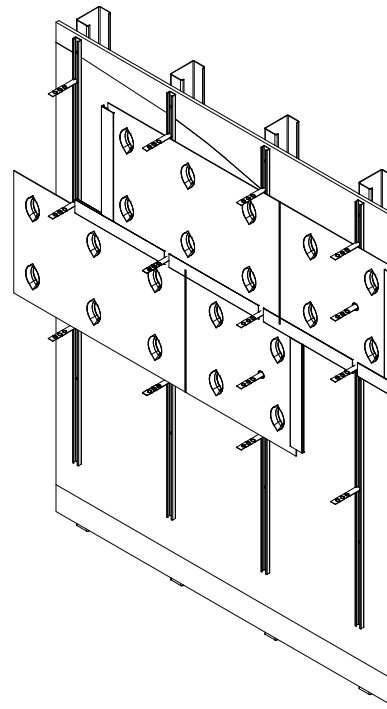
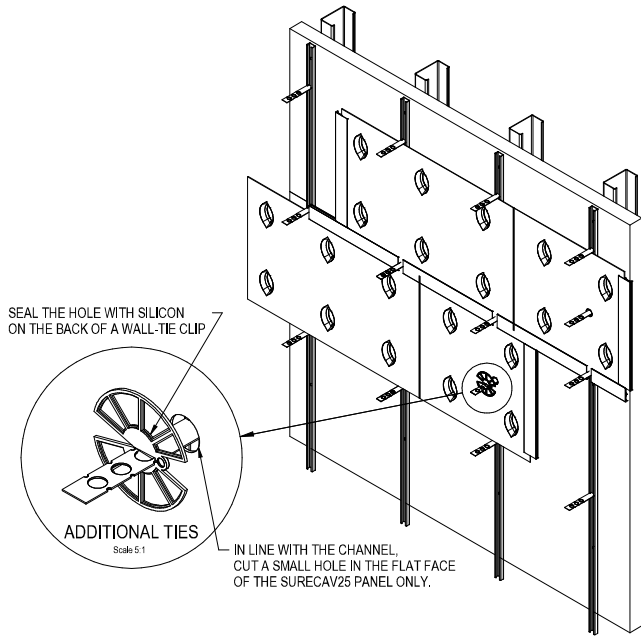
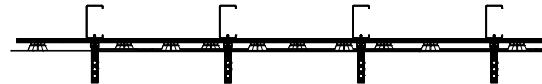


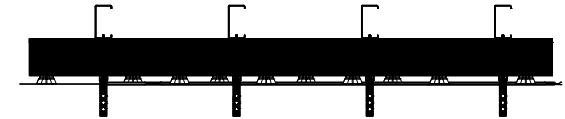
A	ADDED NOTE: SUITABLE FOR SURECAV50	APRIL 2024
---	------------------------------------	------------



1. STEEL FRAME SYSTEM  
50mm BOARD INSULATION  
ANCON OR SIMILAR CHANNEL FIXING  
SURECAV25 FORMING A 25mm RESIDUAL CAVITY



2. STEEL FRAME SYSTEM  
12mm CEMENT FIBRE BOARD  
BREATHER MEMBRANE  
ANCON OR SIMILAR CHANNEL FIXING  
SURECAV25 FORMING A 25mm RESIDUAL CAVITY



3. STEEL FRAME SYSTEM  
12mm CEMENT FIBRE BOARD  
BREATHER MEMBRANE  
100mm BOARD INSULATION  
ANCON OR SIMILAR CHANNEL FIXING  
SURECAV25 FORMING A 25mm RESIDUAL CAVITY

NOTES

- 1. SURECAV25 SHOWN WITH THE PODS NATURALLY SPACED BETWEEN THE CHANNEL SECTIONS
- 2. IF THE PODS CLASH WITH THE CHANNEL SECTIONS THEN SIMPLY CUT OFF A LENGTH OF THE SURECAV TO SUIT AND FIT JOINER.



SURECAV25 ON STEEL-FRAME SYSTEM

ALSO SUITABLE FOR SURECAV50

TITLE

STEEL-FRAME SYSTEMS CLADDING OPTIONS  
USING SURECAV25

DRG NO.

CA- 190617-1

REVISION A